

2/3-Way Vacuum Valve

Bistable 2/3-Way Vacuum Solenoid Valve MVV S

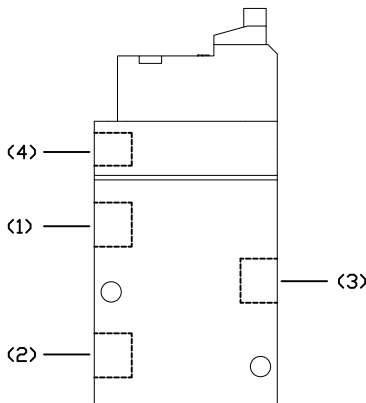
Bistable 2/3-Way Vacuum Solenoid Valve MVV S



Introduction and application

- ◆ The valve is a 2/3-way pilot control solenoid valve with a normally open or closed type.
- ◆ This valve is commonly used in vacuum cut-off of feeders, suction-type stackers, robots, openers, etc. where it is necessary to react quickly between the suction in the line and the intake air, and can also be vacuum connect in the case of power loss or no air pressure.

System design Bistable 2/3-Way Vacuum Solenoid Valve MVV S



Design

- ◆ The body is made of aluminum alloy
- ◆ (4) is the compressed air inlet
- ◆ The integrated solenoid valve is mounted on the machine body and is convenient to control, Protective vacuum connection.
- ◆ When the valve is used normally open, (1) is the vacuum pump interface, (2) is the pressure relief port, and (3) is the action port.
- ◆ When the valve is used as a normally closed, (1) is the pressure relief port, (2) is the vacuum pump interface, and (3) is the action port.

Ordering Data Bistable 2/3-Way Vacuum Solenoid Valve MVV S

Type	Ordering Data
MVV G1/4 S NC/NO	90.06.01.00019
MVV G3/8 S NC/NO	90.06.01.00020
MVV G1/2 S NC/NO	90.06.01.00021
MVV G3/4 S NC/NO	90.06.01.00022
MVV G1 S NC/NO	90.06.01.00023
MVV G1 1/2 S NC/NO	90.06.01.00024

Combined Suction Cups

Vacuum Suction Cups

Composite Suction Cups

Special Grippers

Vacuum Gripping Systems

Mounting Elements

Vacuum Generators

Valve Technology

Switch And Monitoring

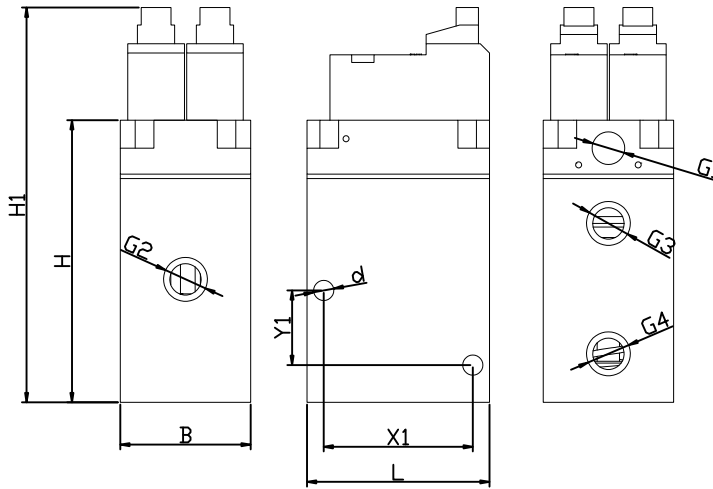
Vacuum Filters

2/3-Way Vacuum Valve

Bistable 2/3-Way Vacuum Solenoid Valve MVV S

Design Data Bistable 2/3-Way Vacuum Solenoid Valve MVV S

MVV S



Type	Dimensions[mm]										
	B	d	G1	G2	G3	G4	H	H1	L	X1	Y1
MVV G1/4 S NC/NO	35	5.5	G1/8"-F	G1/4"-F	G1/4"-F	G1/4"-F	75	105.2	49	40	20
MVV G3/8 S NC/NO	35	5.5	G1/8"-F	G3/8"-F	G3/8"-F	G3/8"-F	75	105.2	49	40	20
MVV G1/2 S NC/NO	39	6.5	G1/8"-F	G1/2"-F	G1/2"-F	G1/2"-F	91	121.5	62	45	20
MVV G3/4 S NC/NO	49	6.5	G1/8"-F	G3/4"-F	G3/4"-F	G3/4"-F	115	145.2	79	60	30
MVV G1 S NC/NO	49	6.5	G1/8"-F	G1"-F	G1"-F	G1"-F	115	145.2	79	60	30
MVV G1 1/2 S NC/NO	90	8.5	G1/8"-F	G1"1/2-F	G1"1/2-F	G1"1/2-F	175	205.2	130	100	49

Technical Data Bistable 2/3-Way Vacuum Solenoid Valve MVV S

Type	Maximum flow [cum/h]	Minimum vacuum [mbar abs]	Maximum vacuum [mbar abs]	Excitation reaction time [msec]	Degaussing reaction time [msec]	Bore diameter [mm]	Through hole area [mm ²]	Control pressure [bar]	Weight [Kg]
MVV G1/4 S NC/NO	6	1000	0.5	16	27	8.5	56.8	4...7	0.59
MVV G3/8 S NC/NO	10	1000	0.5	16	27	11.5	103.8	4...7	0.58
MVV G1/2 S NC/NO	20	1000	0.5	16	40	15	176	6...8	0.97
MVV G3/4 S NC/NO	40	1000	0.5	16	40	20	314	6...8	1.51
MVV G1 S NC/NO	90	1000	0.5	18	42	25	490	6...8	1.41
MVV G1 1/2 S NC/NO	180	1000	0.5	60	38	40	1256	6...8	5.24